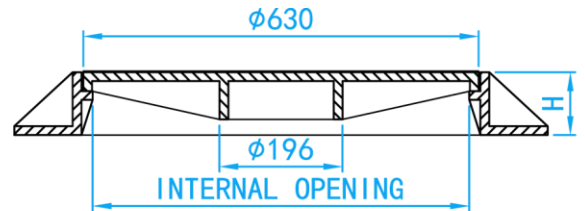


# DUCTILE IRON CIRCULAR MANHOLE COVER & FRAME

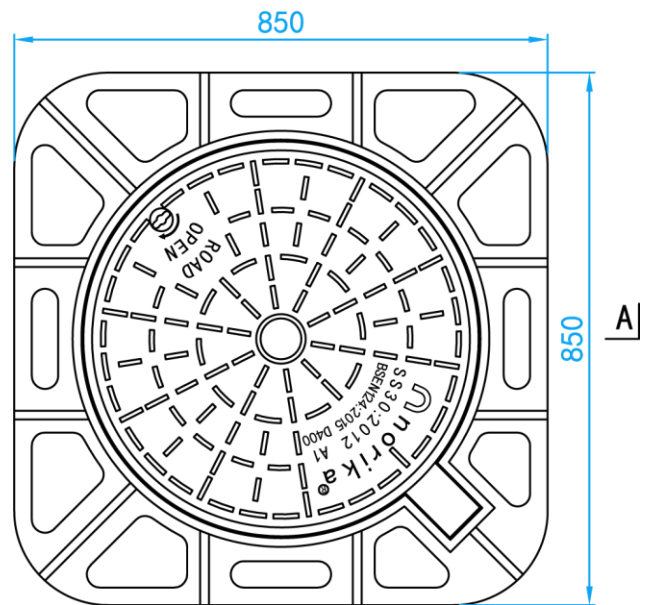


COMPLY WITH BSEN124:1994(400KN)  
SS30:1999 (2012)

Type of Weight (Symbol)	SS30 Grade	Design Load	Place of Installation	BSEN124	Design Load
	A1	400KN	In carriageways of expressways, arterial, industrial roads and parking areas for all types of road vehicles.	D400	400KN



SECTION A-A



TOP VIEW

## DIMENSIONS

SKU	MATERIAL	INTERNAL OPENING (mm)	EXTERNAL (mm)	H (mm)	WEIGHT (kg)	Remarks/ Optional
DIMC	Ductile Iron	Ø600	850 X 850	100	90	-